



# ***Welder Bodies***

***Extracted from Full Scelzi Catalog  
April 2022***



Photos may contain optional equipment - verify your specifications when you order.

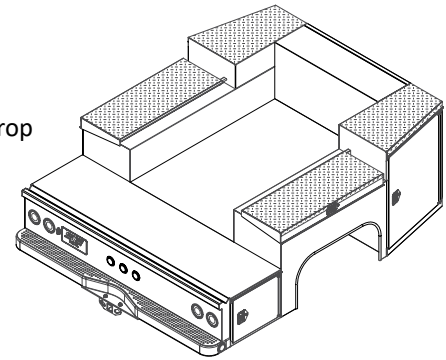
**SBD-108-94-49      108" Long      60 CA      Standard Specifications**

- Body Dimensions:**
- 108 inches Long x 94 inches wide. Compartment height is 33 inches.
  - Custom Order Only: 132 inch Long body, as shown in photo above.

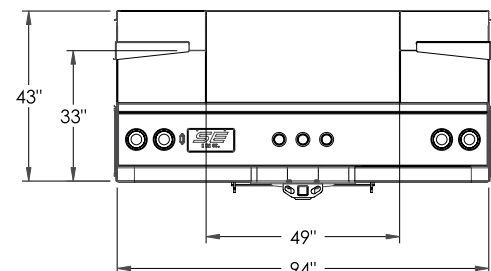
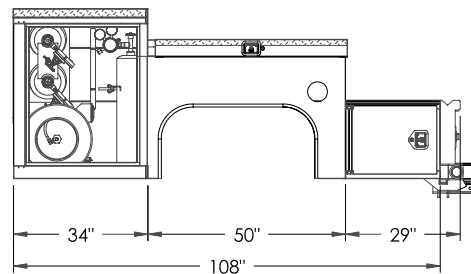
- Rear Wheel:**
- Dual

- Color:**
- White

- Storage Compartments:**
- Tapered Front Compartments and Smooth Steel Floor with a 5" Drop
  - Oxygen Bottle Holders in Transverse Compartment - Driverside
  - Acetylene Bottle Holders in Upright Position in Front Compartment - Driverside
  - Hose Holder in Front Compartment - Driverside
  - Oxygen and Acetylene Hose Reel with Louver in Lower Bottom of Front Compartment - Driverside
  - Adjustable Shelves in Front Compartment - Curbside
  - Horizontal Compartment with Dividers
  - Rear Work Deck with Access Doors and "V" Groove
  - Perforated Rear Step Bumper
  - Class 5 Receiver Hitch Without Insert
  - Trailer Plug 7/4 Way OEM Socket



Dimensions shown are for SBD-108-94-49-33-V



Optional Polyurea lining

All drawings reflect dimensions for the most popular applications.