



Crane Bodies

*Extracted from Full Scelzi Catalog
April 2022*



Photos may contain optional equipment - verify your specifications when you order.

WCB-8000

132" Long

Standard Specifications

Western Crane Body packages are available

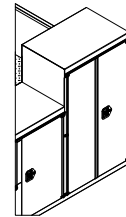
Body Dimensions: • 132 inches Long x 96 inches wide, with capacity for 5,000-8000 lb crane.

Color: • White

Storage Compartments: • Compartment height is 43"

- Options:**
- 60" Tall Oxy-Acetylene Front Compartment (shown in photos above)
 - 24" or 34" Compartment 60" High with 3 Standard Adjustable Shelves
 - 18" to 24" Rear Work Deck – Set up for Outriggers with or without Access Doors
 - Rear Work Deck with Through Compartment
 - "Top 5" Only
 - Work Deck with "V" Groove
 - V-Notch Bumper

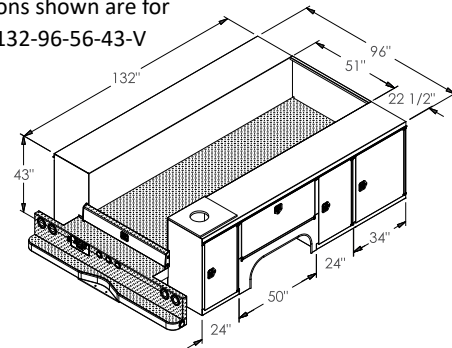
Style	Orientation	Tops
VO*	Vertical	Open
V	Vertical	Closed
* Only available on non-crane side		



CRANE BODIES ARE ALSO AVAILABLE WITH OPTIONAL 60" TALL FRONT COMPARTMENTS



Dimensions shown are for WCB-132-96-56-43-V



CRANE BODY UNDERSTRUCTURE AND REINFORCEMENT

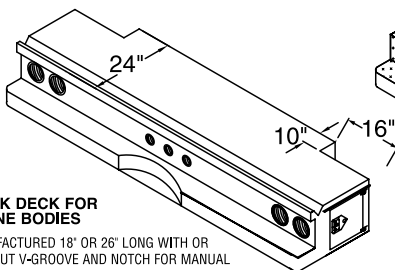
3 X 5 X .250" WALL CROSS SUPPORTS

3 X 5 X .250" WALL LONGSILLS

CRANE MOUNTING PLATE

3/8" THICK FORMED TORQUEBOX

OR BUMPER WITH TYPE-D NOTCH



WORK DECK FOR CRANE BODIES

MANUFACTURED 18" OR 26" LONG WITH OR WITHOUT V-GROOVE AND NOTCH FOR MANUAL OR HYDRAULIC OUTRIGGERS