



# ***Contractor Bodies***

***Extracted from Full Scelzi Catalog  
April 2022***

# CONTRACTOR FLATBED Bodies



Photos may contain optional equipment - verify your specifications when you order.

## CTFB-8/12 (84 CA) Standard Specifications

Other Widths/Lengths Available: 7/9 • 8/10 • 8/14

### Body Dimensions:

- 8 ft Wide x 12 ft Long (144 inches)
- Other Bodies Available:
  - 7 ft Wide X 8.5 ft Long (108 inches) - 56 CA
  - 8 ft Wide X 10 ft Long (120 inches) - 60 CA
  - 8 ft Wide X 14 ft Long (168 inches) - 108 CA

### Color:

- White

### Flooring/Rack Choices:

- Wood floor and fold down side racks
- OPTIONAL: Aluminum floor and fold down side racks

### Tool Boxes:

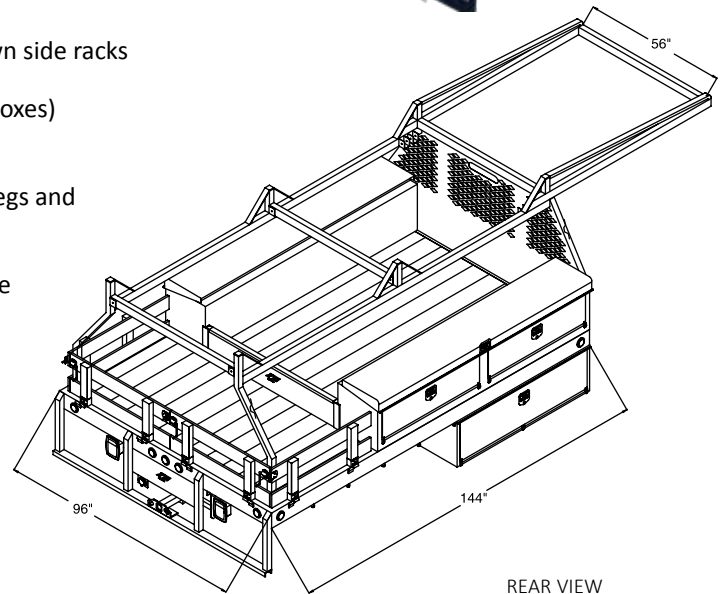
- 96" x 18" x 18" top mount, open top (2 boxes)
- 60" x 18" x 18" underbody (2 boxes)

### Top Rack:

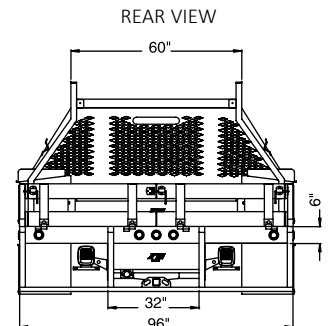
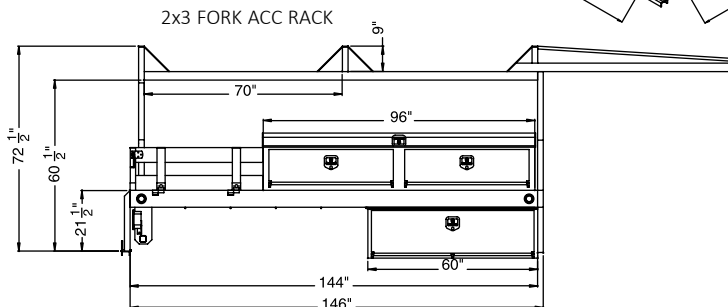
- Removeable 3" x 2" x 120" wall with 2" legs and
- 3" x 2" removeable crossbars
- Powder coated
- OPTIONAL: Standard or fork lift accessible material rack
- NOTE: No warranties offered on wood products



This photo shows CTFB-8/10



15" FOLD DOWN SIDE RACKS  
STAINLESS STEEL STAKES



All drawings reflect dimensions for the most popular applications

# SUPER CONTRACTOR FLATBED Bodies



Photos may contain optional equipment - verify your specifications when you order.

## SCTFB-8/12 (84 CA) Standard Specifications

- Body Dimensions:**
- 8 ft Wide x 12 ft Long (144 inches)
  - 8 ft Wide x 14 ft Long also available
- Color:**
- White
- Flooring/Rack Choices:**
- Wood floor and fold down side racks
  - OPTIONAL: Aluminum floor and fold down side racks
- Tool Boxes:**
- 96" x 30" x 20" top mount, closed top (2 boxes)
  - 96" x 13" x 20" Shovel box - full length opening
  - 60" x 18" x 18" underbody (2 boxes)
- Compartments:**
- Bottom compartments with 1 roller drawer and 1 adjustable shelf on each side
- Top Rack:**
- Removeable 3" x 2" x 120" wall with 2" legs and 3" x 2" removeable crossbars
  - Powder coated
  - OPTIONAL: Standard or fork lift accessible material rack
  - NOTE: No warranties offered on wood products



Standard Item In Boxes For This Model Only



15" Fold Down Side Racks With Aluminum Slats and Stainless Steel Stakes



Wood Slats With Stainless Steel Stakes

