



Super Structure Bodies

*Extracted from Full Scelzi Catalog
January 2024*



Photos may contain optional equipment - verify your specifications when you order.

Super Structures for 8600 GVW* and Higher Standard Specifications

GVW * is Gross Vehicle Weight Rating, also known as Gross Vehicle Mass (GVM). This is the maximum operating weight of a vehicle chassis as specified by the manufacturer.

Body Dimensions:

- Lengths available in 98, 108, 132 and 156 inches only. Can be ordered with tapered sides.
- Scelzi 6" recessed rear bumper and standard service body compartment options (see pages 31-33)
Compartment height options are shown below.

Window Options:

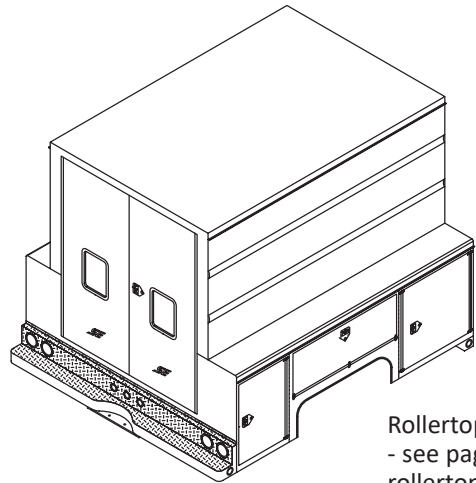
- 1 front window 12" high X 28" wide.
- Windows in rear doors 18" X 12" wide

Color:

- White or black

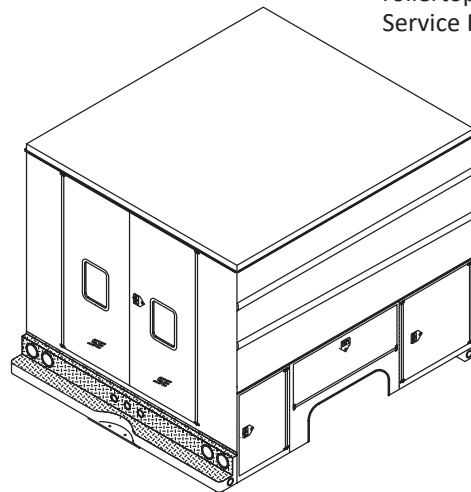
Body Height	SUPER STRUCTURE HEIGHT		
	24 inches	36 inches	48 inches
33"	42-3/16"	54-3/16"	66-3/16"
38"	47-3/16"	59-3/16"	71-3/16"
43"	52-3/16"	64-3/16"	76-3/16"

Dimensions are measured from the floor to the inside structure



Standard Width Super Structure (SWSS)

Rollertops are optional - see page 56 for more rollertop options on Service Bodies



Full Width Super Structure (FWSS)